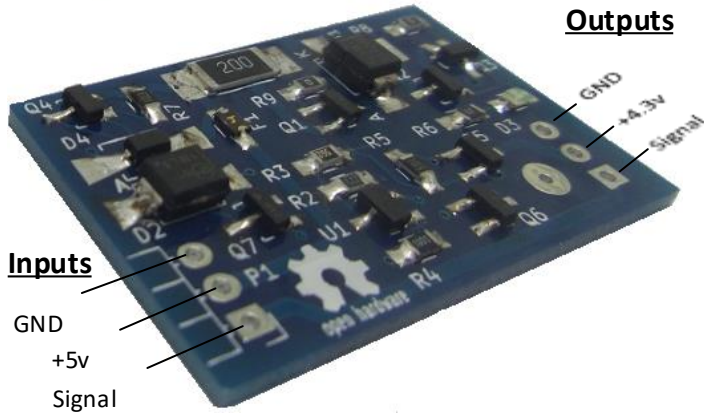


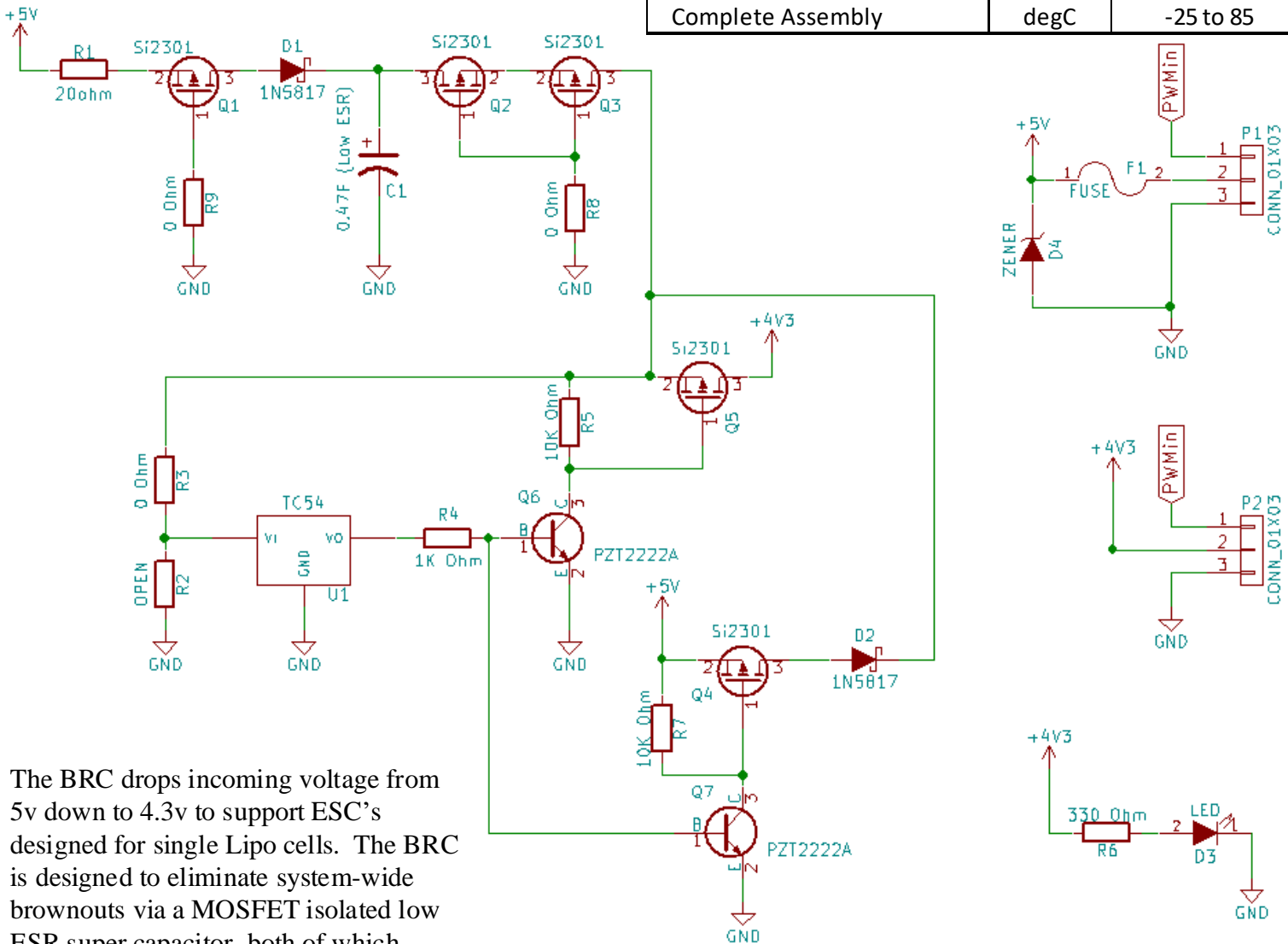


SuperBurst Battery Replacer Board



The BRC (Battery Replacement Circuit) fills the role of a battery, providing high current on demand.

Parameter	Unit	Value
Mass		
Complete Assembly	g	2.73
Dimensions		
Length	mm	30
Width	mm	18
Height	mm	5.6
Power Reqmnts (@5v)		
Max Input Voltage	v	5.1
Output Voltage @ 5v	v	4.3
Voltage Drop	v	0.7
Max Current In	mA	300
Max Isolated Current Out	mA	500
Temperature Range		
Complete Assembly	degC	-25 to 85



The BRC drops incoming voltage from 5v down to 4.3v to support ESC's designed for single Lipo cells. The BRC is designed to eliminate system-wide brownouts via a MOSFET isolated low ESR super capacitor, both of which provide power isolation while also providing inrush demand support.